

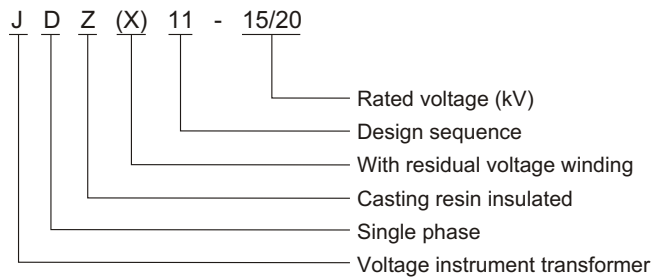
## JDZ(X)11-15/20 Voltage Transformer

### Summary

The potential instrument transformers JDZ(X)11-15/20 are fully enclosed and cast in epoxy resin. The transformers are designed for electric power systems of rated frequency 50Hz/60Hz and rated voltage of 15/20 kV. They are used for indoor mounting. The performances of the products meet standards IEC60044-2 and GB1207-2006. The products are used in metering electric energy, voltage controlling and relay protection applications.



### Model

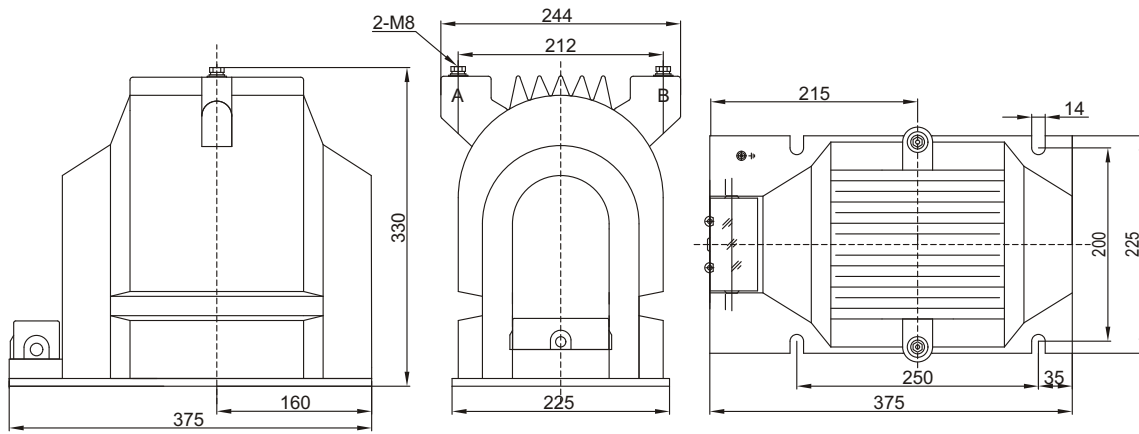


### Technical specification

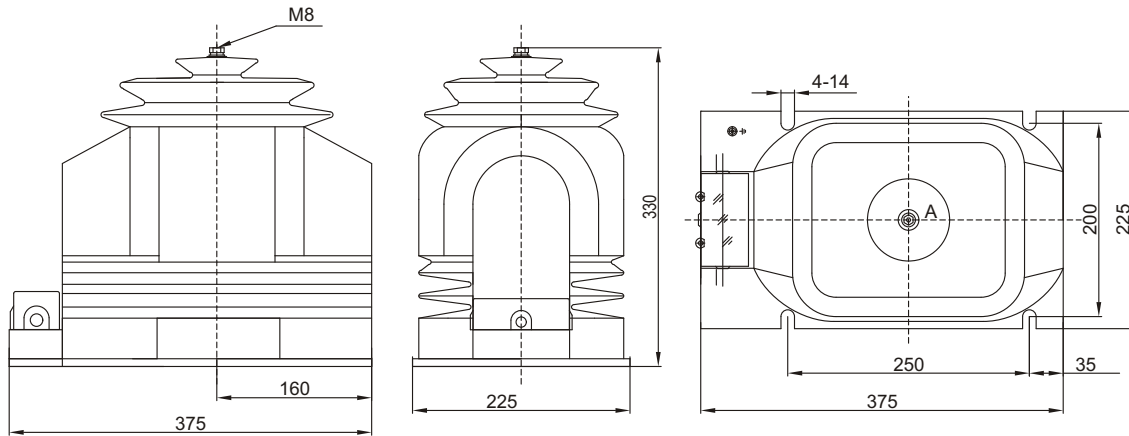
Type	Rated voltage ratio (V)	Accuracy class	Rated output (VA)	Limit output (VA)	Rated insulation level(kV)
JDZ11-15(G)	13800/100	25	60	500	18/55/105
	15000/100				
	15700/100	20			
JDZ11-20(G)	20000/100	150	200		24/65/125
	13800/100/100	25/30	30/30	300	18/55/105
15000/100/100					
JDZ11-20(G)	15700/100/100	50/5	50/50		24/65/125
JDZX11-15(G)	13800/√3/100/√3/100/3	25/100	40/400	600	18/55/105
	15000/√3/100/√3/100/3				
	15700/√3/100/√3/100/3	0.5/6P	60/100	400	
	13800/√3/100/√3/100/3	0.2/0.5/6P	20/30/100		
	15000/√3/100/√3/100/√3/100/3				
	15700/√3/100/√3/100/√3/100/3	0.5/0.5/6P	30/30/100		
JDZX11-20(G)	20000/√3/100/√3/100/3	25/100	40/100	600	24/65/125
		0.5/6P	30/30/100		
	20000/√3/100/√3/100/√3/100/3	0.2/0.5/6P	20/30/100	400	
		0.5/0.5/6P	30/30/100		
JDZX11-15(G)	13.8/√3/0.1/√3/0.1/3	25/100	30/100	400	18/55/105
	15/√3/0.1/√3/0.1/3				
	15.7/√3/0.1/√3/0.1/3	80/100	150/100		
	18/√3/0.1/√3/0.1/3	100/100			
JDZX11-20(G)	20/√3/0.1/√3/0.1/3				24/65/125

Type	Rated voltage ratio (V)	Accuracy class	Rated output (VA)	Limit output (VA)	Rated insulation level(kV)
JDZX11-15(G)	13.8/√3/0.1/√3/0.1/√3/0.1/3	0.2/0.2/6P(3P) 0.2/0.5/6P(3P) 0.5/0.5/6P(3P)	15/15/100 20/20/100 30/30/100	300	18/55/105
	15/√3/0.1/√3/0.1/√3/0.1/3				
	15.7/√3/0.1/√3/0.1/√3/0.1/3				
JDZX11-20(G)	18/√3/0.1/√3/0.1/√3/0.1/3				
JDZX11-20(G)	20/√3/0.1/√3/0.1/√3/0.1/3				24/65/125

## Outline dimension



JDZ11-15(20) Outline dimension



JDZX11-15(20) Outline dimension