

HXGN15-12L HV Switchgear Metal-clad AC Ring Main Unit

Summary

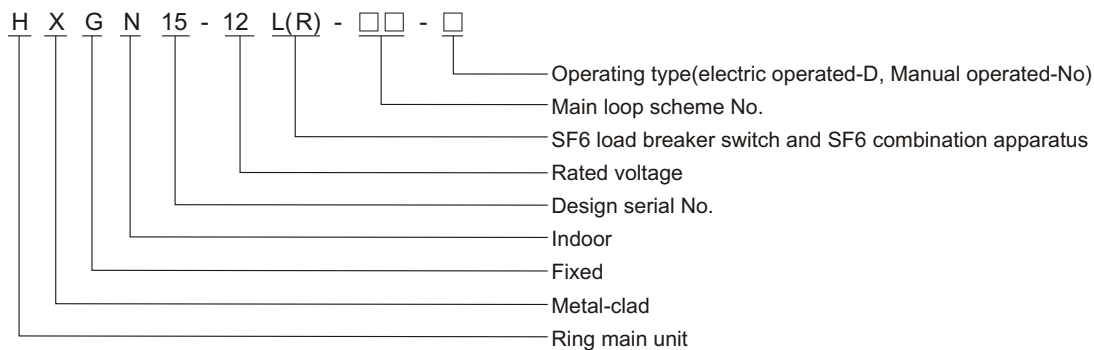
HXGN15-12L HV switchgear metal enclosed AC ring main unit is a new HV apparatus which introduced from abroad and accord with the requirement of rural distribution and city distribution in nation. Main switch, operation mechanism and component use the SFL-12 model SF6 switch equipment produced by ABB company or FLN36-12D model SF6 switch equipment produced by our company. Also can use the HAD/US model SF6 circuit breaker or VD4-S model vacuum circuit breaker produced by company ABB according to requirement of customer operation type is manual and motor.



Ambient condition

1. Ambient temperature: -25°C~+40°C;
2. Altitude: ≤1000m;
3. Relative humidity: daily average ≤95%, monthly average ≤90%;
4. Occasions without flammable and explosive matter, without corrosive chemical and frequent severe vibration, without strong shake.

Model



Product feature

Panel structure: The panel body is enclosed by 2 mm aluminium-zinc plated steel plate after multi-bending. It is simple, firm, delicate and peculiar.

1. Busbar compartment

The busbar compartment is located in the top and connect with neighboring panel.

2. Load break switch is a separated unit with SF6 gas.

3. Cable compartment

Approximate 75% room for connecting cable and installing fuse, earthing switch and PT.

4. Mechanism chamber and interlock

The chamber consists of operating mechanism, mechanism interlock, position indicator, auxiliary contact trip coil, power indicator and interlock.

5. LV chamber

LV compartment is located in the top. It mainly user for installing instrument, relay and motor.

6. Circuit breaker compartment

The circuit breaker (SF6 or Vacuum) is located below load break switch.

Pressure release:

A. Upper pressure release

It is mainly used for releasing gas pressure which produced by arc accident in busbar load break switch compartment.

B. Down pressure release

It is mainly used for releasing gas pressure which produced by arc accident in cable small compartment.

Technical specification

Item	Unit	Parameter
Rated voltage	kV	10
Highest working voltage	kV	12
Rated frequency	Hz	50/60
Main busbar rated current	A	630
Main loop, earthing loop rated short time withstand current	kA/s	20/3
Main loop, earthing loop rated peak withstand current	kA	50
Main loop, earthing loop rated short circuit making current	kA	50
Load break switch full capacity breaking time	Times	100
Fuse breaking current	kA	31.5-50
Mechanical life	Times	2000
Rated transfer current	A	1700
1min P.F. Withstand(virtral value),phase to phase, earth/across open contacts	kV	42/48
Lightning impulse withstand voltage(peak) phase to phase, earth/across open contacts	kV	75/85
Secondary loop 1min P.F. Withstand	kV	2
Protection degree		IP3X

Outline and dimension

Width of circuit breaker panel	mm	750
Other width of panel	mm	375/500
Height	mm	1600/1850
Depth	mm	980
Height of LV case	mm	450

